

Data Sheet

A2 Pressure Transmitter

FEATURES

- Rugged housing
- Highly configurable: wide selection of pressure ranges, pressure connections and electrical terminations
- Output: select voltage or current versions
- Available with externally adjustable zero and span access

TYPICAL USES

- Test stands
- Compressor control
- Hydraulic systems
- Process automation
- Pump and pneumatic systems control



A2
Pressure Transmitter



PERFORMANCE SPECIFICATIONS

Reference Temperature:	70 °F (21 °C)
Accuracy Class (Includes non-linearity):	±0.25%, ±0.5%, ±1.0% of span Terminal Point Method includes: hysteresis, non-repeatability, zero offset and span setting errors
Best Fit Straight Line (BFSL):	±0.2%, ±0.4%, ±0.5% of span Add ±0.05% for ranges >5,000 psi
Durability:	>10 million cycles
Stability:	≤±0.25% span/year at reference conditions

ENVIRONMENTAL SPECIFICATIONS

Temperature Effects:	-4 °F to 185 °F (-20 °C to 85 °C) ±1.0% of span for ±0.25% accuracy class ±2.0% of span for ±0.5% and ±1.0% accuracy class
Temperature Limits:	Storage: -40 °F to 257 °F (-40 °C to 125 °C) Operating: -40 °F to 257 °F (-40 °C to 125 °C) Compensated: -4 °F to 185 °F (-20 °C to 85 °C)
Humidity Effects:	0-95% R.H. non-condensing (no effects) 0-100% R.H. with welded enclosure (no effects)

FUNCTIONAL SPECIFICATIONS

Response Time:	<2ms
Pressure Ranges:	Vacuum, gauge, compound and absolute pressure from 0 to 5 psi through 0 to 10,000 psi (Bar ranges available)
Shock:	100g Peak, 11ms
Random Vibration:	10g RMS, 20-2,000Hz
Sweep Vibration:	50-2,000Hz, 5g peak
Position Effect:	±0.02%, typical
Overpressure:	Proof: Burst: ≤300 psi 1.5 X Range 2 X Range ≥500 to ≤10,000 psi 1.2 X Range 1.5 X Range

KEY BENEFITS

- Provides the user with accurate, reliable, and stable output data
- Board microprocessor provides extremely linear and precise performance over the entire pressure and temperature range

ELECTRICAL SPECIFICATIONS

Circuit Protection:	Reverse polarity and mis-wire protected	
Insulation Resistance (Circuit Case):	100 MΩ @ 30 Vdc	
Output Signal:	Supply Voltage: (unregulated)	
	Min.	Max.
0-5 Vdc (3 Wire)	12 Vdc	36 Vdc
0-10 Vdc (3 Wire)	14 Vdc	36 Vdc
1-5 Vdc (3 Wire)	10 Vdc	36 Vdc
1-6 Vdc (3 Wire)	10 Vdc	36 Vdc
4-20 mA (2 Wire)	12 Vdc	36 Vdc

Data Sheet

A2 Pressure Transmitter

Electrical Terminations: See ordering code on page 3 for options

PHYSICAL SPECIFICATIONS

Environmental Rating: IP65, NEMA 4X

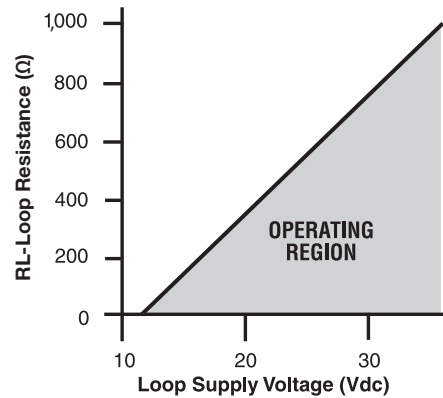
WETTED MATERIAL

Diaphragm	Process Connection
316L Stainless steel or 17-4PH®	316L Stainless Steel

NON-WETTED

Housing
304 Stainless steel

LOAD LIMITATIONS 4-20 mA OUTPUT ONLY



$$V_{dc\ Min} = 12V + (0.022A * X (RL))$$

$$R_L = R_s + R_w$$

R_L = Loop Resistance (ohms)

R_s = Sense Resistance (ohms)

R_w = Wiring Resistance (ohms)

* (Includes a 10% safety factor)

Data Sheet

A2 Pressure Transmitter

ORDERING CODE	Example:	A2	S	A	M01	05	F2	50#	G	-X6B
Model										
A2 - Industrial pressure transmitter		A2								
Enclosure										
S - Basic			S							
Z - Zero and span access										
Y - Welded with zero & span access										
W - Welded w/out zero & span access										
Accuracy/Temp. Effects										
A - 0.25%/±1.0% (-20 °C to 85 °C)				A						
B - 0.50%/±2.0% (-20 °C to 85 °C)										
C - 1.0%/±2.0% (-20 °C to 85 °C)										
Pressure Connection										
F01 - 1/8 NPT Female										
F02 - 1/4 NPT Female										
F04 - 1/2 NPT Female										
F09 - 3/16-18 (1/4)-Female (Aminco®)										
FRW - 7/16-20 SAE-Female										
MEK - 7/16-20 SAE-Male										
MG2 - G1/4 Male										
MG4 - G1/2 Male										
M01 - 1/8 NPT Male					M01					
M02 - 1/4 NPT Male										
M04 - 1/2 NPT Male										
VM2 - VCR® process connection 1/4" VCR® gland w/ 3/16-18 Male nut										
VF2 - VCR® process connection 1/4" VCR® gland w/ 3/16-18 Female nut										
S15 - Sanitary seal 1 1/2" Tri-Clamp®										
S20 - Sanitary seal 2" Tri-Clamp®										
Output Signal										
05 - 0-5 Vdc						05				
10 - 0-10 Vdc										
15 - 1-5 Vdc										
16 - 1-6 Vdc										
42 - 4-20 mA										
Electrical Termination										
Integral Cable (Pigtail)										
F2 - 3' shielded cable (available with enclosure code or S, Z)							F2			
P1 - Specify length (available with enclosure code or S, Z)										
Hirschmann® Style Form A DIN 43650-A										
DN - W/o mating conn. (available with enclosure code or S, Z)										
D0 - With mating conn., no cable (available with enclosure code or S, Z)										
D2 - With mating conn., 3' cable (available with enclosure code or S, Z)										
D1 - With mating conn., specify length (available with enclosure code or S, Z)										
4-Pin Bendix® Style										
B4 - W/o mating conn. (available with enclosure code or S, Z, W, Y)										
H1 - With mating conn., no cable (available with enclosure code or S, Z, W, Y)										
L1 - With mating conn., 3' cable (available with enclosure code or S, Z, W, Y)										
P2 - With mating conn., specify length (available with enclosure code or S, Z, W, Y)										
1/2 NPT-M Conduit Shielded Cable (NEMA Rating not valid for ranges ≤300 psi)										
C1 - 3' Shielded cable (available with enclosure code W, Y)										
C6 - 15' Shielded cable (available with enclosure code W, Y)										
C7 - 30' Shielded cable (available with enclosure code W, Y)										
P7 - Shielded cable specify length (available with enclosure code W, Y)										
1/2 NPT-M Conduit Flying Leads (NEMA Rating not valid for ranges ≤300 psi)										
C2 - 3' Flying leads (available with enclosure code W, Y)										
C5 - 10' Flying leads (available with enclosure code W, Y)										
M12 Threaded										
EW - W/o mating conn. (available with enclosure code or S, Z)										
E0 - With mating conn. no cable (available with enclosure code or S, Z)										
E2 - With mating conn. 3' cable (available with enclosure code or S, Z)										
E1 - With mating conn., specify length (available with enclosure code or S, Z)										
Pressure Range (see range table on page 4)										
50# - 50 psi								50#		
Measurement Type										
G - Gauge pressure									G	
A - Absolute pressure (Not available with X6B option)										
Option (if including an option(s) must include an "X")										
CL - Non-standard calibration										X _ _
K8 - 17-4PH® Stainless steel sensor material										
6B - Cleaned for oxygen service (Not available with absolute ranges)										6B

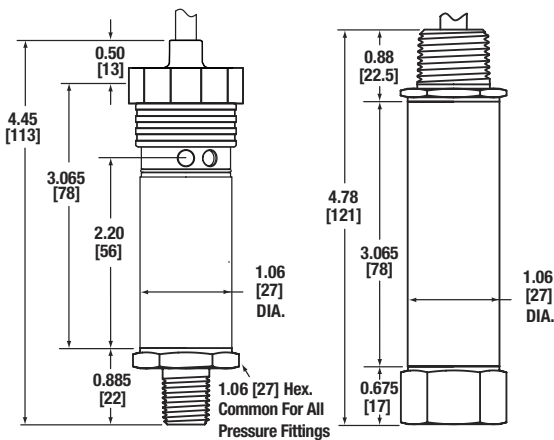
Data Sheet

A2 Pressure Transmitter

DIMENSIONS in [] are millimeters

For reference only, consult Ashcroft for specific dimensional drawings

Heavy Industrial (Enclosure S, Z, Y, W)



RANGE TABLE

	Range	Code	Notes
Vacuum	0 psi/-14.7 psi	0#&vac	17-4PH® SS sensor not available, gauge pressure only
	15 psi/-14.7 psi	15#&vac	17-4PH® SS sensor not available, gauge pressure only
Compound	30 psi/-14.7 psi	30#&vac	17-4PH® SS sensor not available, gauge pressure only
	45 psi/-14.7 psi	45#&vac	Gauge pressure only
	60 psi/-14.7 psi	60#&vac	Gauge pressure only
Positive Pressure	1.5 psi	1.5#	17-4PH® SS sensor not available, gauge pressure only, available with accuracies B or C only
	5 psi	5#	17-4PH® SS sensor not available, gauge pressure only
	10 psi	10#	17-4PH® SS sensor not available, gauge pressure only
	15 psi	15#	17-4PH® SS sensor not available
	30 psi	30#	17-4PH® SS sensor not available
	50 psi	50#	
	60 psi	60#	
	75 psi	75#	
	100 psi	100#	
	150 psi	150#	
	200 psi	200#	
	300 psi	300#	
	500 psi	500#	
	750 psi	750#	
	1,000 psi	1000#	
	1,500 psi	1500#	
2,000 psi	2000#		
3,000 psi	3000#		
5,000 psi	5000#		
6,000 psi	6000#		
7,500 psi	7500#		
10,000 psi	10000#	17-4PH® SS sensor required	