

## Data Sheet

# 1032 2" Fractional Sanitary Pressure Gauge

### FEATURES

- FlutterGuard™ option reduces movement wear and eliminates pointer flutter
- Heat lot traceable material certificates

### TYPICAL USES

- Specialized OEM equipment
- Filtration
- Food and dairy
- Pharmaceutical
- Biotech
- Medical equipment
- Calibration labs
- Field inspection

### SPECIFICATIONS

Accuracy: ±3% of Span (Upscale)  
±5% of Span (Downscale)

Size: 2"

Process Connection Location: Lower

Process Connection Size: ¾" Tri-Clamp®

Ranges: Compound to 600 psi

Case Style: Stainless steel

Movement: 300 Stainless steel

Dampening: Flutterguard™

Pointer: Black aluminum

Window: Glass

Approvals: ROHS

### WETTED COMPONENTS

Diaphragm	Seal Housing	Joints
316L Stainless steel Electropolished	316L Stainless steel Electropolished	Welded

### NON-WETTED COMPONENTS

Case	Ring	Dial
300 Stainless steel	300 Stainless steel	Aluminum



**1032 Fractional**  
2" (50mm) dial size

### KEY BENEFITS

- Compact design
- Electropolished diaphragm and housing
- USP grade glycerin (99.5% pure, system fill)

# Data Sheet

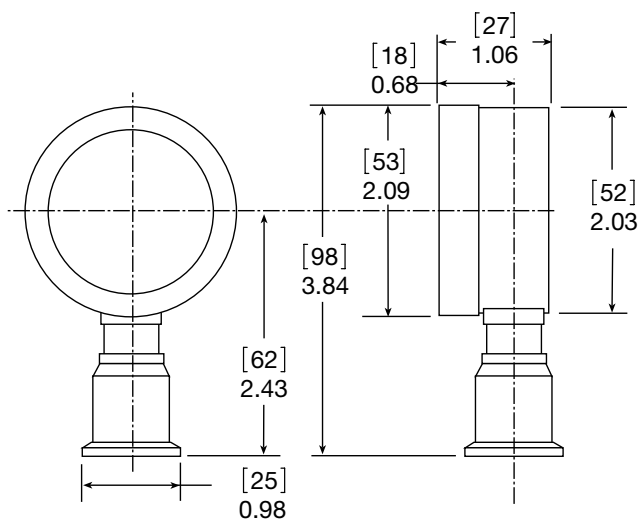
## 1032 2" Fractional Sanitary Pressure Gauge

<b>ORDERING CODE</b>	<b>Example:</b>	<b>201032</b>	<b>S</b>		<b>75</b>	<b>L</b>	<b>-XC4</b>	<b>100#</b>
<b>Dial Size/Model</b>								
201032 - 2"		201032						
<b>System</b>								
S - 316L Stainless steel tube and process connection			S					
<b>Case Fill</b>								
Blank - Dry gauge								
<b>Process Connection Size</b>								
75 - ¾" Tri-Clamp®					75			
<b>Process Connection Location</b>								
L - Lower						L		
<b>Options (If choosing an option(s) must include an "X")</b>								-X _ _
C4 - Individual calibration chart (in accordance with ASME B40.100:2013. Accuracy of unit traceable to NIST)								C4
NH - Stainless steel tag wired to case								
PD - Polycarbonate window								
SG - Safety glass								
ZY - FlutterGuard™								
CF - Halocarbon® system fill								
FJ - Distilled water system fill								
6B - Cleaned for gaseous oxygen service (requires Halocarbon® or distilled water systems fill)								
6W - Cleaned for gases other than oxygen								
MQ - Positive Material Identification (PMI) (Diaphragm and top housing only)								
<b>Range (Coding examples only)</b>								
30 IMV/30# - Compound Gauge with a Vacuum (30 IMV)/ 30 psi								
100# - 100 psi								100#

\*Tri-Clamps are not included.

### DIMENSIONS in [ ] are millimeters

For reference only, consult Ashcroft for specific dimensional drawings



### STANDARD PRESSURE RANGES

	psi
<b>Compound</b>	30IMV&30#
	30IMV&45#
	30IMV&60#
	30IMV&100#
	30IMV&150#
<b>Positive Pressure</b>	30IMV&300#
	30#
	60#
	100#
	160#
	200#
	300#
400#	
	600#

Other ranges on application