

This drawing includes confidential information which is the property of ASHCROFT INC. This copy is loaned for a specific purpose, with the understanding that it will not be reproduced or used for any other purpose or disclosed to others, and it will be returned on demand.

ASHCROFT[®] INC.

250 EAST MAIN STREET
STRATFORD, CT 06614

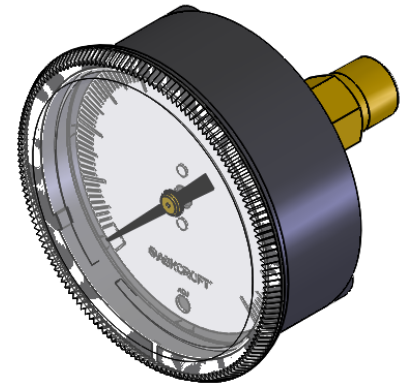
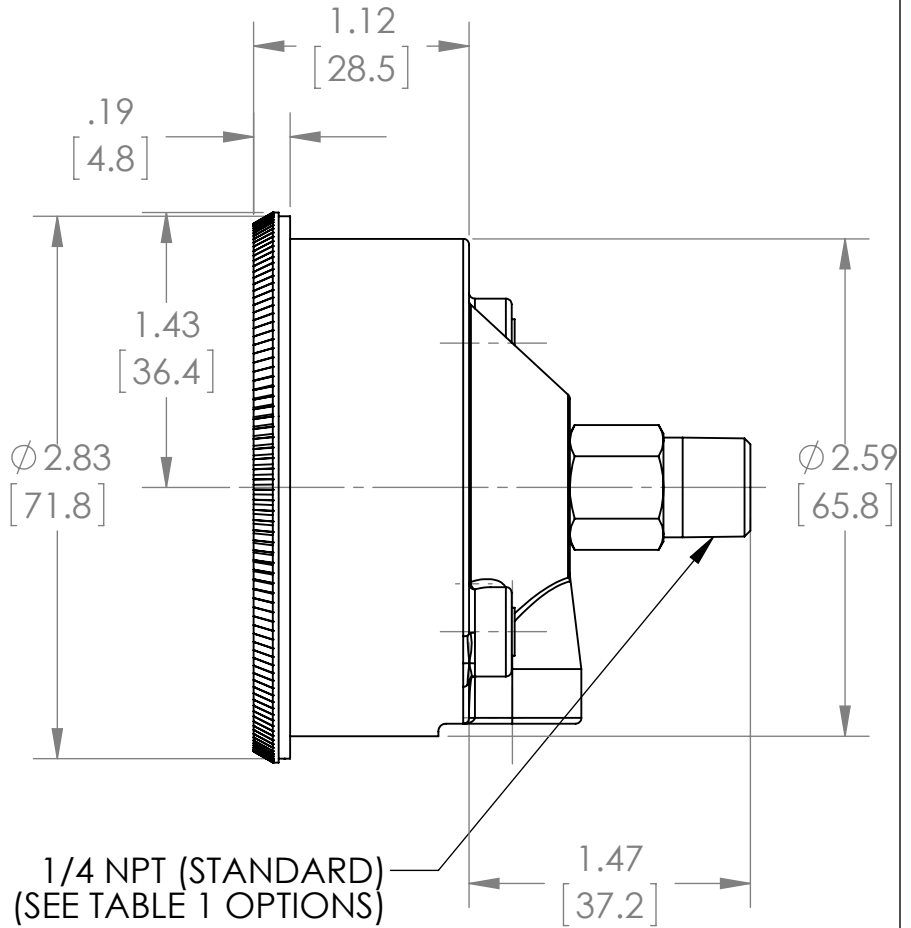
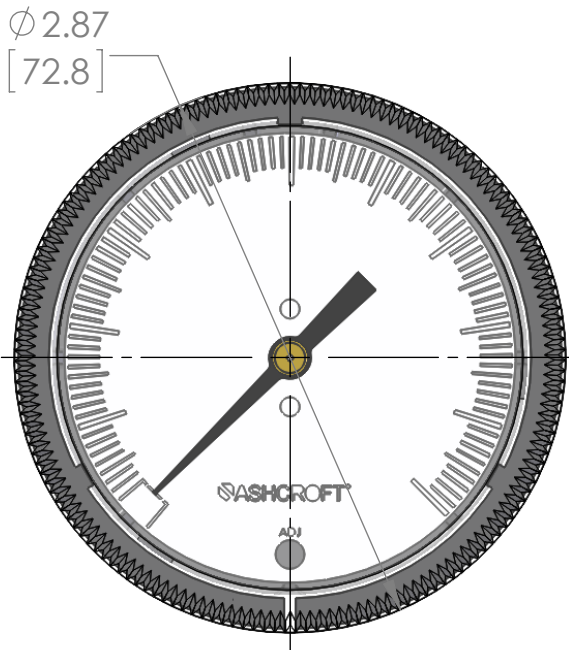


TABLE 1

CONNECTION SIZE AND TYPE	
CODE	DESCRIPTION
02	1/4 NPT (Shown)
01	1/8 NPT
HH	10-32/2B Brass Female Thread
HD	1/8" I.D. Tubing Brass Hose Barb
HE	3/16" I.D. Tubing Brass Hose Barb
HF	1/4" I.D. Tubing Brass Hose Barb

REV.	ECO	DESCRIPTION	BY	DATE
A	0008335	INITIAL RELEASE	RFF	9/29/2015

DIMENSIONS IN [] ARE MILLIMETERS

This print certified correct for		General Dimensions		
Customer's Name				
		25 1490 02B SERIES		
Customer's Order No.	Drawn RFF	Date 9/28/15	Date of Issue	
Ashcroft Order No.	Checked	Date	SHEET-1	Rev.
Certified by	Date	Approved	Date	070A4111 A