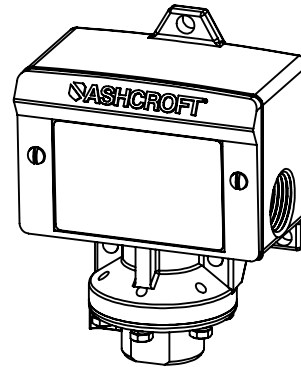
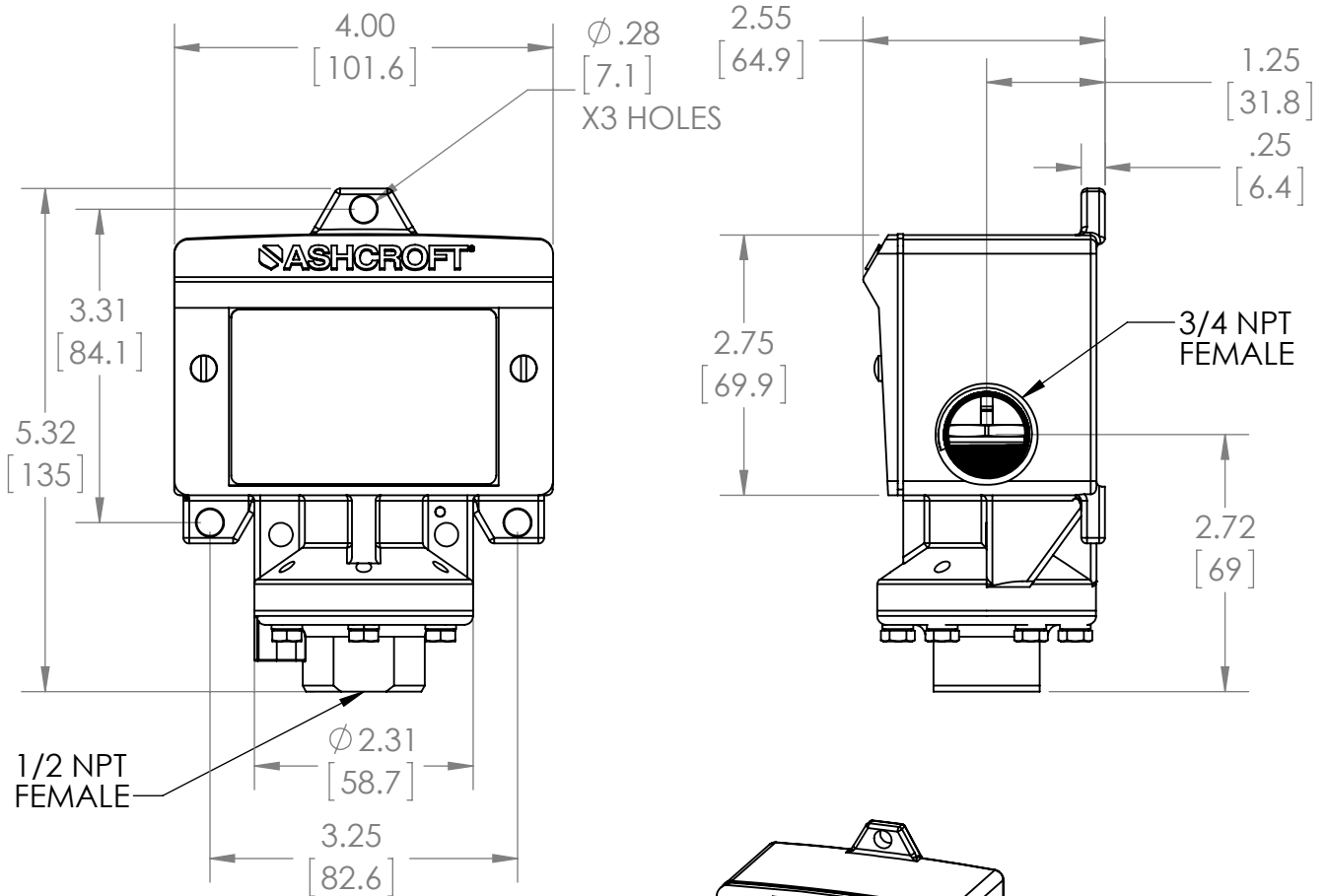


This drawing includes confidential information which is the property of ASHCROFT INC. This copy is loaned for a specific purpose, with the understanding that it will not be reproduced or used for any other purpose or disclosed to others, and it will be returned on demand.

ASHCROFT INC.

250 EAST MAIN STREET
STRATFORD, CT 06614



NOTE:
SINGLE & DUAL ELEMENT HERMETICALLY SEALED SWITCHES ARE SUPPLIED WITH A SET OF 12" 18 GA. LEADS.

ALL OTHER DUAL ELEMENT SWITCHES ARE SUPPLIED WITH A SET OF 6" 18 GA. LEADS FOR THE REAR MOUNTED SWITCH ONLY.

DIMENSIONS IN [] ARE MILLIMETERS

APPLICABLE SWITCH PRODUCT CODES				
SWITCH TYPE	SWITCH ELEMENT	SEAL MATERIAL	VARIATIONS	RANGE
B4	-	B, T, V	X07	VAC - 600 PSI

REV.	ECO	DESCRIPTION	BY	DATE
B	0008148	CORRECT FLANGE ORIENTATION	HOY	6/17/2015

This print certified correct for
Customer's Name

General Dimensions
B4 PRESSURE SWITCH
BUNA, TEFLON, VITON DIAPHRAGM MAT'L
RANGES VAC - 600PSI - X07

Customer's Order No.
Ashcroft Order No.
Certified by
Date

Drawn HOY Date 4/1/15 Date of Issue
Checked TB Date 4/1/15 SHEET-1 Rev.
Approved SSH Date 4/1/15 **70A4004** **B**