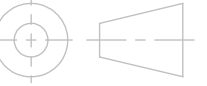


4 3 2 1

THIRD ANGLE PROJECTION

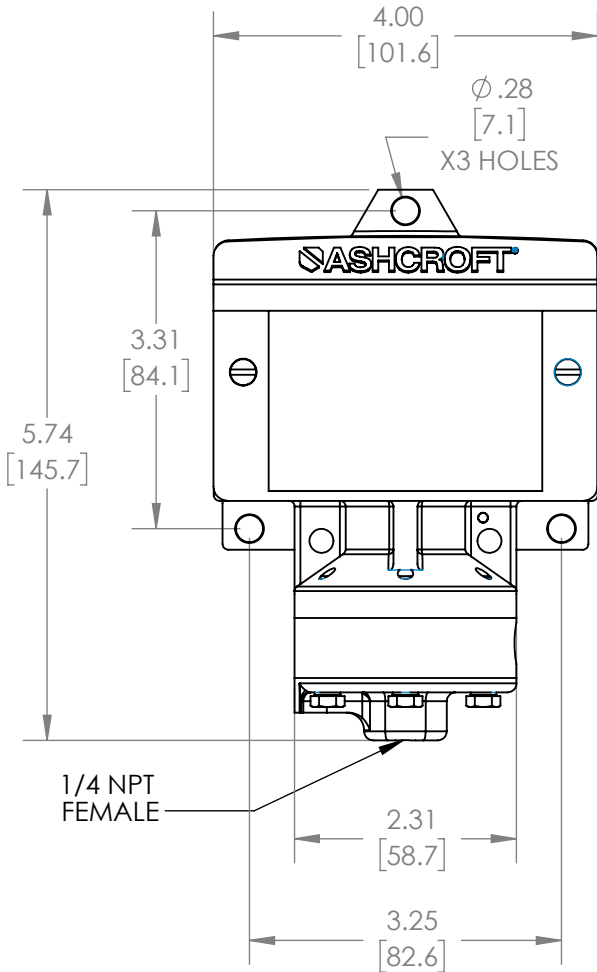
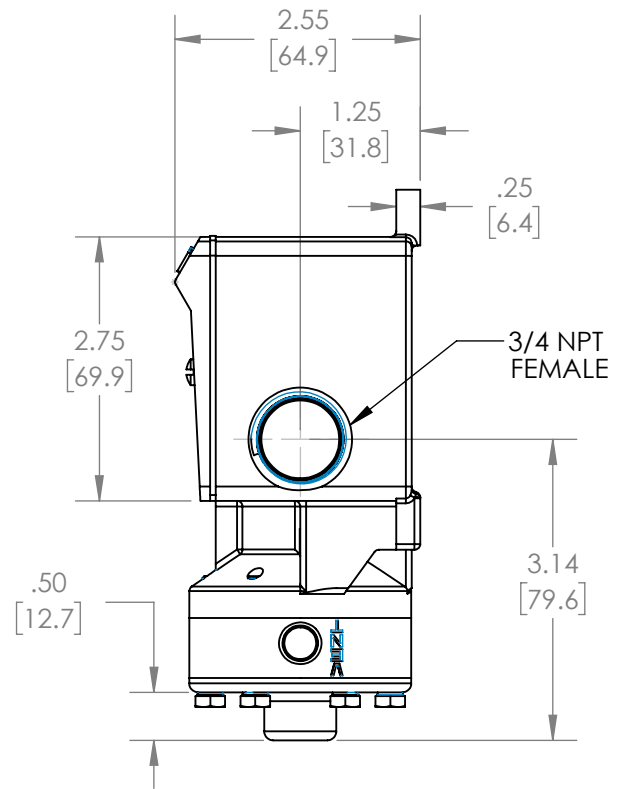


THIS DRAWING INCLUDES CONFIDENTIAL INFORMATION WHICH IS THE PROPERTY OF ASHCROFT INC. THIS COPY IS LOANED FOR A SPECIFIC PURPOSE WITH THE UNDERSTANDING THAT IT WILL NOT BE REPRODUCED OR USED FOR ANY OTHER PURPOSE OR DISCLOSED TO OTHERS, AND IT WILL BE RETURNED ON DEMAND.



250 EAST MAIN STREET STRATFORD, CT 06614

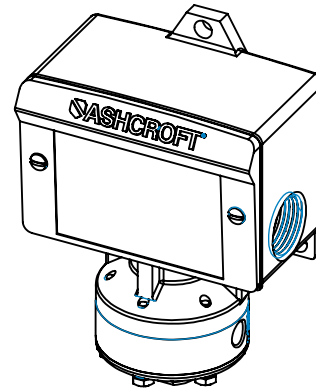
D

C

B

B



DIMENSIONS IN [] ARE MILLIMETERS

A

REV.	ECO	DESCRIPTION	BY	DATE
A	0012054	RELEASE GENERAL DIMENSIONS	LKG	4/23/2021

THIS PRINT CERTIFIED CORRECT FOR:

GENERAL DIMENSIONS

CUSTOMER ORDER NO.:

ASHCROFT ORDER NO.:

CUSTOMER NAME

B4 PRESSURE SWITCH
BUNA, VITON DIAPHRAGM MAT'L
RANGES 15 - 600 PSI - XG6

DATE:

DATE:

DATE

DATE OF ISSUE

REV.

070A4555

A

4 3 2 1