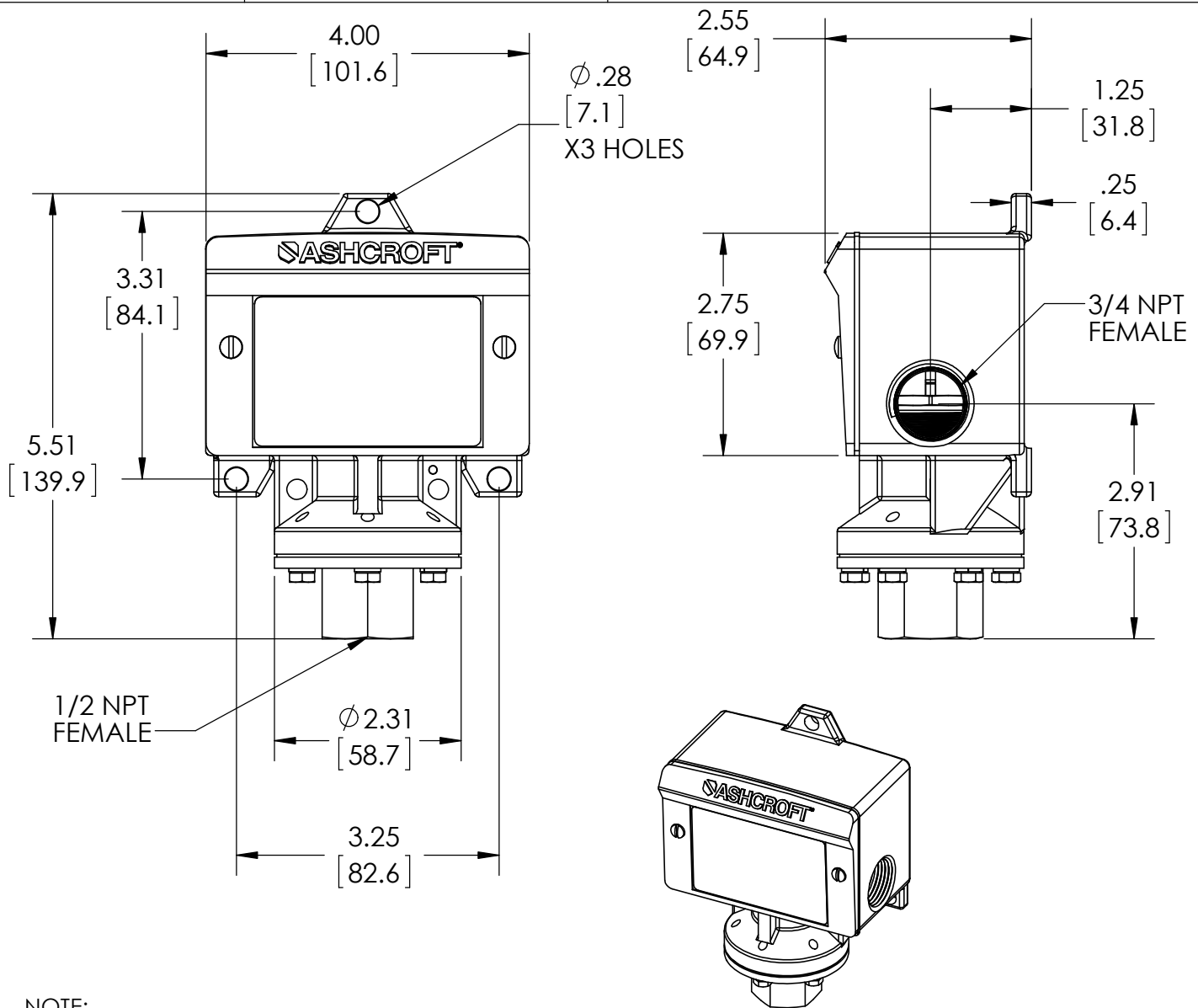


This drawing includes confidential information which is the property of ASHCROFT INC. This copy is loaned for a specific purpose, with the understanding that it will not be reproduced or used for any other purpose or disclosed to others, and it will be returned on demand.



NOTE:
SINGLE & DUAL ELEMENT HERMETICALLY SEALED SWITCHES ARE SUPPLIED WITH A SET OF 12" 18 GA. LEADS.

ALL OTHER DUAL ELEMENT SWITCHES ARE SUPPLIED WITH A SET OF 6" 18 GA. LEADS FOR THE REAR MOUNTED SWITCH ONLY.

DIMENSIONS IN [] ARE MILLIMETERS

APPLICABLE SWITCH PRODUCT CODES				
SWITCH TYPE	SWITCH ELEMENT	SEAL MATERIAL	VARIATIONS	RANGE
B4	-	S, P	X07	15 - 1000 PSI

REV.	ECO	DESCRIPTION	BY	DATE
B	0008209	CORRECT RANGE CALLOUTS	HOY	7/21/2015

This print certified correct for

Customer's Name

Customer's Order No.

Ashcroft Order No.

Certified by

Date

General Dimensions

B4 PRESSURE SWITCH

STAINLESS STEEL, MONEL DIAPHRAGM MAT'L

RANGES 15 - 1000PSI - X07

Drawn	HOY	Date	4/1/15	Date of Issue
Checked	TB	Date	4/1/15	SHEET-1
Approved	SSH	Date	4/1/15	70A4010
				B