

## Data Sheet

### HPT Pressure Gauge 63 mm Dial Size

#### FEATURES

- PTFE/PFA wetted parts
- Cleaned in class 10,000 clean room
- Polyethylene-sealed after nitrogen gas flushing

#### TYPICAL USES

- Chemical delivery system
- Wafer manufacturing
- Ultrapure water applications
- Plating processing
- Pharmaceutical

#### SPECIFICATIONS

Accuracy: ±1.5% of span (ranges 90 psi and above)  
±2.0% of span (ranges 90 psi and below)

Dial Sizes: 63 mm

Ranges: Vacuum to 145 psi

Process Connection: G 3/8"  
R 3/8"  
Tube Stub: 1/4", 3/8", 1/2", 6 mm, & 8 mm

Process Conn. Location: Lower, center back

Window Material: PET resin

Dial: White face

Pointer: Black, aluminum

Approvals: RoHS

Weight: Aprox. 190 g

#### WETTED COMPONENTS

Bellows Material	Socket
PFA (Perfluoroalkoxy)	PTFE

#### NON-WETTED COMPONENTS

Case  
Polypropylene



**HPT**  
63mm dial size

#### KEY BENEFITS

- Ultraclean design & packaging
- 100% N2 Leak Tested
- Serialized dial (7 digit)

#### MIN/MAX TEMPERATURE LIMITS

Process
10 °F to 85 °F (10 °C to 30 °C)

# Data Sheet

## HPT Pressure Gauge 63 mm Dial Size

ORDERING CODE	Example:	63	HPT	W	TBF	L	60#
<b>Size</b>							
63 - 63 mm		63					
<b>Gauge Family</b>							
HPT - Anti-corrosion pressure gauge			HPT				
<b>Purity Level</b>							
W - Class 10000				W			
<b>Process Connection</b>							
MGF - G 3/8" B Male (not available with center back)							
MRF - R 3/8" Male (not available with center back)							
TQF - 1/4" Tube stub							
TBF - 3/8" Tube stub (not available with center back)					TBF		
THF - 1/2" Tube stub (not available with center back)							
<b>Process Connection Location</b>							
L - Lower						L	
C - Center back							

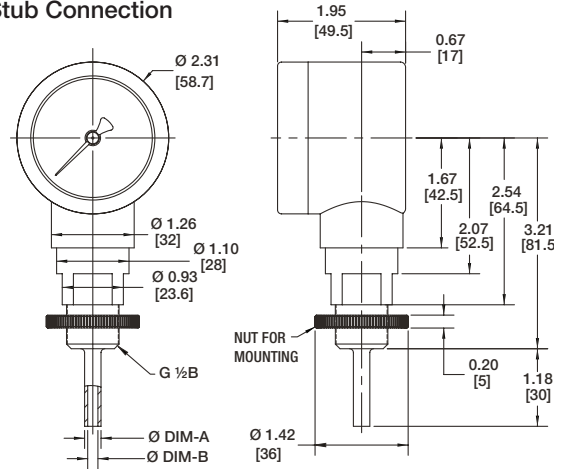
Range	60#
# - psi	60#
IMV - Inches of mercury vacuum	
BR - Bar	
KP - Kilopascals	
MP - Megapascals	

STANDARD RANGES			
psi	bar	kPa	MPa
30IMV	N1BR	N100KP	NP1MP
15#	1BR	100KP	P1MP
30#	2BR	200KP	P2MP
60#	4BR	400KP	P4MP
90#	6BR	600KP	P6MP
150#	10BR	1000KP	1MP

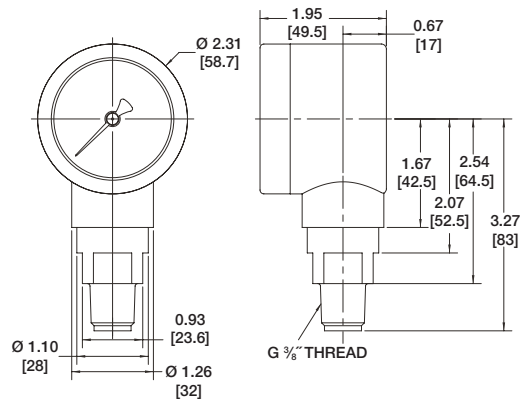
### DIMENSIONS in [ ] are millimeters

For reference only, consult Ashcroft for specific dimensional drawings

#### Stub Connection



#### Threaded Connection



#### Center Back Connection

