

1134 Differential Pressure Gauge

FEATURES

- Ranges from 0.6 IWD to 60 IWD
- Low cost reed switches (OPT.) for direct system control
- Standard with in-line and back process ports
- Buna-N Seals (others available)
- Convuluted diaphragm actuator

TYPICAL USES

- Filtration monitoring
- Flow measurement
- Clean room positive pressure (low dp)
- Leak detection



1134
4½" dial size

SPECIFICATIONS

Accuracy:	±3% ascending pressure full scale differential
Sizes:	4½"
Ranges:	0.6 IWD to 60 IWD
Maximum Static Pressure:	35 psi
Process Connection:	½ NPT Female
Process Connection Location:	Dual, back/in-line
Window Material:	Glass
Migration:	Zero
Maximum Process Temperature:	175°F (80°C)
Minimum Ambient Temperature:	Buna-N Diaphragm -4°F (-20°C) EPDM Diaphragm -40°F (-40°C) Viton Diaphragm 32°F (0°C)
Mounting Hardware:	Flush mounting (STD.), surface plate (OPT.) or pipe mounting bracket (OPT.)
Weather Protection:	IP65

WETTED COMPONENTS

Actuator	O-Rings/Diaphragm	Body Material
Convuluted diaphragm	Buna-N (STD.) EPDM (OPT.)	Glass filled nylon

Ceramic magnet & stainless steel spring are also wetted components

KEY BENEFITS

- No migration of the process media
- Superior magnets for smoother motion
- Low Cost
- Stainless steel case
- 5 year warranty

NON-WETTED COMPONENTS

Case Material	Window
Stainless steel	Glass (STD.) Plastic (OPT.)

RATINGS FOR REED SWITCHES

Switches	Contact Rating	Current	Voltage
SPST	10 VA ac (rms) or dc (Max.)	0.5 Amp ac (rms) or dc (Max.)	100 Vac/Vdc (Max.)
SPDT	3 VA ac (rms) or dc (Max.)	0.3 AMP ac (rms) or dc (Max.)	30 Vac/Vdc (Max.)

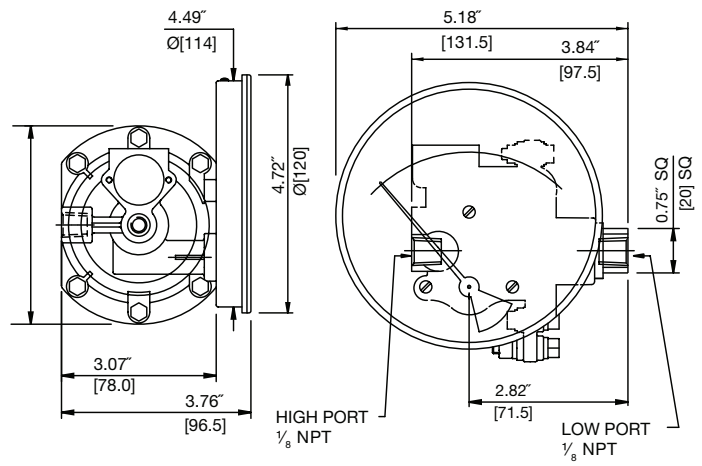
1134 Differential Pressure Gauge

ORDERING CODE	Example:	45	1134	E	D	RQ	M	10IWD	-XBF
Dial Size									
45 - 4½"		45							
Model			1134						
1134 - Large convoluted diaphragm			1134						
Body Material				E					
E - Glass filled nylon				E					
Case Fill					D				
D - Dry					D				
Process Connection Size						RQ			
RQ - 1/8 NPT Female						RQ			
Process Connection Location							M		
M - Dual In-Line or back							M		
Range (coding examples only, see range table below for all standard ranges)								10IWD	
10IWD - 10-in. H ₂ O								10IWD	
Options (If choosing an option(s) must include a "X")									-X
BF - Surface mount									BF
EM - EPDM Diaphragms and O-rings (ranges up to 4IW)									
PD - Plastic window									
TM - Pipe mounting bracket									
VD - Viton® Diaphragms and O-rings									
V1 - 1-SPST switch with DIN plug, (Adj. 40-80% of range)									
V3 - 2-SPST switch with DIN plug, (Adj. 40-80% of range)									
V5 - 1-SPDT switch with DIN plug, (Adj. 40-80% of range)									

Single Scale (in H ₂ O)			
0.6IW	4IW	10IW	30IW
1IW	5IW	15IW	40IW
2IW	6IW	20IW	50IW
3IW	8IW	25IW	60IW

STANDARD ACCESSORIES
Two nylon 3/16" hose barb tube adapters, Flush mounting kit and Two plugs for sealing connections not in use

DIMENSIONS in [] are millimeters
For reference only, consult Ashcroft for specific dimensional drawings



This instrument with its off-center profile can still be easily inserted in a 115 mm panel cutout.