

C1032 Sanitary Pressure Gauge

- All-welded Structure, No Dead Space
- Tri-clamp® Connection, Easy for Installation
- Bayonet Ring Case Design, Easy for Calibration



Pharmaceutical & Biotech



Food & Beverage

C1032 Sanitary Pressure Gauge

PERFORMANCE SPECIFICATIONS

Range:	Max:1%, Please refer to Range and Accuracy Table
Accuracy:	Please refer to Range and Accuracy Table
Dial Size:	63mm, 100mm
Case Material:	304SS
Window Material:	Polycarbonate, safety glass (optional)
Movement:	300SS
Pointer:	Black, aluminium
Dial:	Black figures on white background
Process Connection Location:	Lower, Lower Back
Process Connection:	Tri-Clamp [®] , Union DIN11851
Wetted Material:	316L, Hastelloy [®] C276(Optional)
Medium Temperature:	Max:138°C, For higher temperature, a cooling tower is required or please consult the factory.
Weather Protection:	IP65
Case Fill:	Food grade glycerin, food grade silicone oil
Diaphragm System Oil Fill:	White oil, distilled water
Surface Roughness:	Diaphragm Ra≤ 0.38μ; Laser welding seam Ra≤ 0.76μ; Machined surface Ra≤ 0.76μ

C1032 Sanitary Pressure Gauge

Range and Accuracy

Dial Size: 100mm

Diaphragm Dia.	1" (Mb24)	DN25 (Mb28)	1.5"/DN32 (Mb34)	2"/DN40 (Mb48)
Pressure Range (MPa)	Accuracy (% F.S)			
0.1	Unable to work	Unable to work	1.6%	1.6%
0.16	Unable to work	Unable to work	1.6%	1.6%
0.25	Unable to work	Unable to work	1.6%	1.0%
0.4	Unable to work	2.5%	1.6%	1.0%
0.6	2.5%	2.5%	1.6%	1.0%
1.0	2.5%	2.5%	1.0%	1.0%
1.6	1.6%	1.6%	1.0%	1.0%
2.5	1.6%	1.6%	1.0%	1.0%

Dial Size: 63mm

Diaphragm Dia.	1" (Mb24)	DN25 (Mb28)	1.5"/DN32 (Mb34)	2"/DN40 (Mb48)
Pressure Range (MPa)	Accuracy (% F.S)			
0.1	Unable to work	Unable to work	2.5%	2.5%
0.16	Unable to work	Unable to work	2.5%	1.6%
0.24	Unable to work	Unable to work	1.6%	1.6%
0.4	Unable to work	2.5%	1.6%	1.6%
0.6	2.5%	2.5%	1.6%	1.6%
1.0	2.5%	2.5%	1.6%	1.6%
1.6	1.6%	1.6%	1.6%	1.6%
2.5	1.6%	1.6%	1.6%	1.6%

Standard Pressure Ranges (MPa)

Positive Pressure	Compound
0...0.1	-0.1...+0.15
0...0.16	-0.1...+0.3
0...0.25	-0.1...+0.5
0...0.4	-0.1...+0.9
0...0.6	
0...1.0	
0...1.6	
0...2.5	

Data Sheet

C1032 Sanitary Pressure Gauge

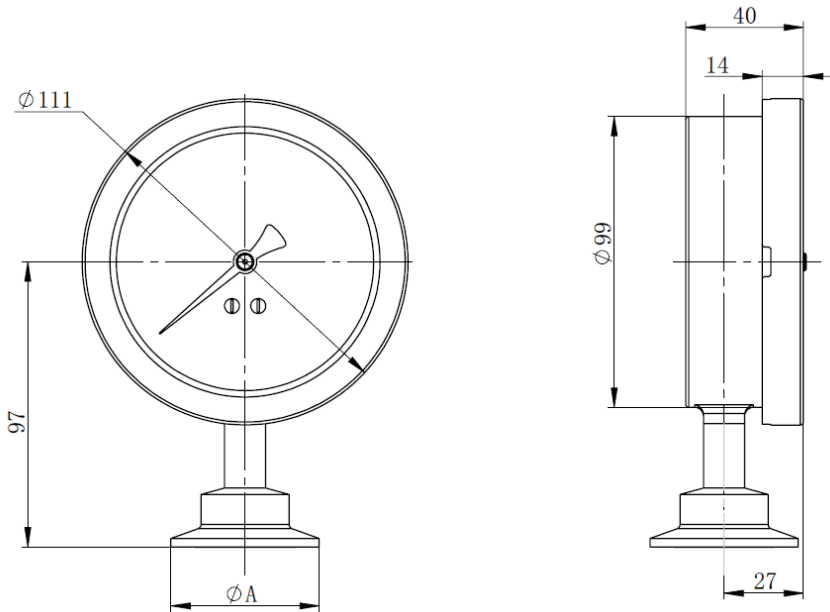
Ordering Code	63	C1032	TR	S	L	15	L	XC3C4	0.1MP
Dial Size									
63	63mm	63							
100	100mm								
Model									
C1032	Sanitary Pressure Gauge	C1032							
Diaphragm type									
TR	Tri-Clamp [®]		TR						
UD	Union DIN11851								
TD	Threaded DIN11851								
Wetted Material									
S	316L		S						
H	Hastelloy [®] C276								
Case Fill									
D	Dry Gauge								
L	Liquid fill (food grade glycerin)			L					
Process Connection									
10	1" (Only Tri-Clamp [®])								
15	1.5" (Only Tri-Clamp [®])					15			
20	2" (Only Tri-Clamp [®])								
DN25	DN25								
DN32	DN32								
DN40	DN40								
DN50	DN50 (Only DIN11851)								
Process Connection Location									
L	Lower							L	
B	Lower Back								
Options (If choose an option(s) must include an "X")									
ZF	Food grade silicone case fill								
MY	White oil								
DI	Distilled water system fill								
C4	Calibration certificate								
C3	3.1 Material certificate								
MQ	Positive material identification (PMI)								
NH	Stainless steel tag plate								
SG	Safety glass								
6W	Oil and grease free								
CS	Dual scale								
HT	Cooling tower								
Range (See Range Table on Page 3)									
0 - 0.1 MPa									0.1MP

C1032 Sanitary Pressure Gauge

mm

Tri-Clamp® — Dimensions are millimeters

100mm 径向



Seal Size	A
1"/1.5"/DN25	50.5
2"/DN32/DN40	64

Process Connection: As per DIN32676

Pipeline standard: DIN11866 row C, ASME BPE or BS4825 part 3 and O.D. tube

Size	A	Mb	Outside diameter x wall thickness	PN
1"	50.5	24	25.4 x 1.65	40
1.5"	50.5	34	38.1 x 1.65	40
2"	64	48	50.8 x 1.65	40

Process Connection: As per DIN32676

Pipeline standard: DIN11866 row C or ISO1127 row 1

Size	A	Mb	Outside diameter x wall thickness	PN
DN 25	50.5	24	33.7 x 2	40
DN 32	64	34	42.4 x 2	40
DN 40	64	48	48.3 x 2	40