

## ZT91 超高纯压力变送器

## ZT91 超高纯压力变送器

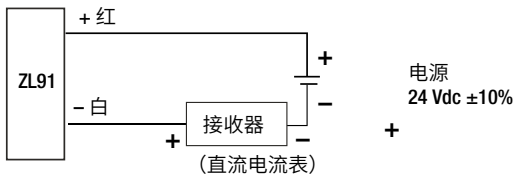
订货代码	举例:	ZL91	7	141	42	C06	75#	-X1N
<b>型号</b>								
ZL91		ZL91						
<b>精度</b>								
7 - 1.0% 满量程			7					
<b>过程连接</b> (第一个数字 = 连接类型)								
1 - 在线式				1				
2 - 单口式								
<b>(第二个数字 = 压力连接孔直径)</b>								
4 - 内径 O.D. 1/4", I.D. 0.17"					4			
5 - 内径 O.D. 1/4" I.D. 5/32"								
6 - 内径 O.D. 3/8", I.D. 1/4"								
7 - 内径 O.D. 1/2", I.D. 3/8"								
8 - 内径 O.D. 3/4", I.D. 5/8"								
9 - 内径 O.D. 1", I.D. 7/8"								
<b>(第三个数字 = 压力连接端口)</b>								
1 - 管道连接						1		
2 - S300 螺母 (压合)								
4 - 20 系列螺母 (压合)								
6 - Flare 螺母 (嵌入)								
A - S300 外螺纹 (仅适用在线式)								
B - 60 系列外螺纹 (仅适用在线式)								
<b>模拟输出</b>								
42 - 4 - 20 mA					42			
15 - 1-5 Vdc								
<b>电缆长度</b>								
C06 - 6 英尺						C06		
<b>压力量程</b>								
V/15#								
V/30#								
V/45#								
V/75#								
15#								
30#								
45#								
75#							75#	
NP1/P1MP								
NP1/P2MP								
NP1/P3MP								
NP1/P5MP								
P1MP								
P2MP								
P3MP								
P5MP								
<b>选项 (如果选择, 请在前面“X” (-X...))</b>								X
1N - 材质测试报告								1N

## ZT91 超高纯压力变送器

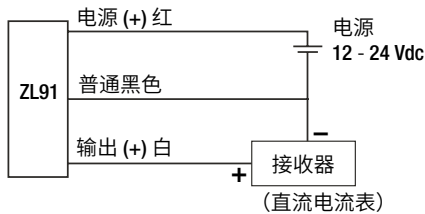
标准量程	
psi	mPa
V/15#	NP1/P1MP
V/30#	NP1/P2MP
V/45#	NP1/P3MP
V/75#	NP1/P5MP
15#	P1MP
30#	P2MP
45#	P3MP
75#	P5MP

### 接线盒

#### 2线 (电流输出)



#### 3线 (电压输出)



### 压力连接配置 (X 表示可用的配置)

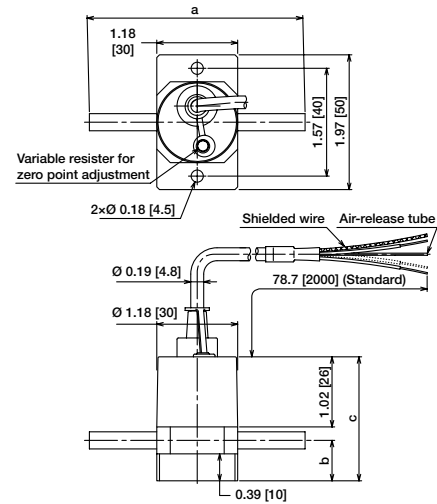
② 压力接口 端口直径	1: 在线式					2: 单口式						
	4	5	6	7	8	9	4	5	6	7	8	9
③ 压力连接端口												
1	X	X	X	X	X	X	X	X	X	X	-	-
2	-	X	X	X	X	X	-	X	X	X	-	-
4	X	-	X	X	X	X	X	-	X	X	-	-
6	-	X	X	X	X	X	-	X	X	X	-	-
A	-	X	X	X	-	-	-	-	-	-	-	-
B	X	X	X	X	-	-	-	-	-	-	-	-

### 尺寸

[ ] 数字为毫米

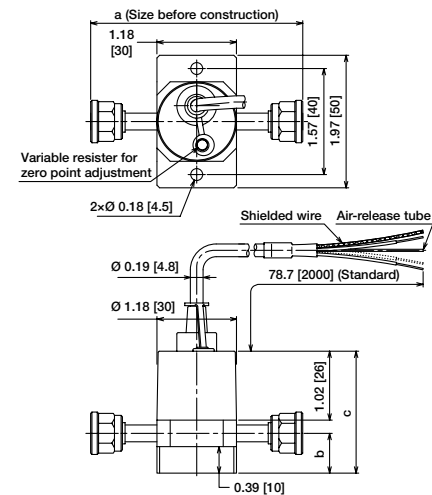
仅供参考, 具体尺寸请咨询 Ashcroft 工厂

### 管道连接



型号	连接端口	a	b	c
ZL91-141	O.D. ¼", I.D. 0.17"	3.15	0.59	1.81
ZL91-151	O.D. ¼", I.D. ⅝ <sub>32</sub> "	3.15	0.59	1.81
ZL91-161	O.D. ⅜", I.D. ¼"	3.54	0.69	2.01
ZL91-171	O.D. ½", I.D. ⅜"	3.54	0.69	2.01
ZL91-181	O.D. ¾", I.D. ⅝"	3.94	0.89	2.40
ZL91-191	O.D. 1", I.D. ⅞"	4.33	0.98	2.60

### 20 系列螺母 (压合)



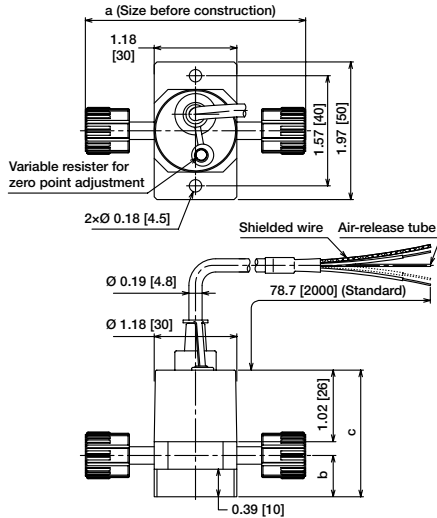
型号	连接端口	a	b	c
ZL91-144	O.D. ¼", I.D. 0.17"	3.15	0.59	1.81
ZL91-164	O.D. ⅜", I.D. ¼"	3.54	0.69	2.01
ZL91-174	O.D. ½", I.D. ⅜"	3.54	0.69	2.01
ZL91-184	O.D. ¾", I.D. ⅝"	3.94	0.89	2.40
ZL91-194	O.D. 1", I.D. ⅞"	4.33	0.98	2.60

## ZT91 超高纯压力变送器

Inline Pressure Connection Dimensions in drawings are inches [mm]  
Dimensions in tables are inches

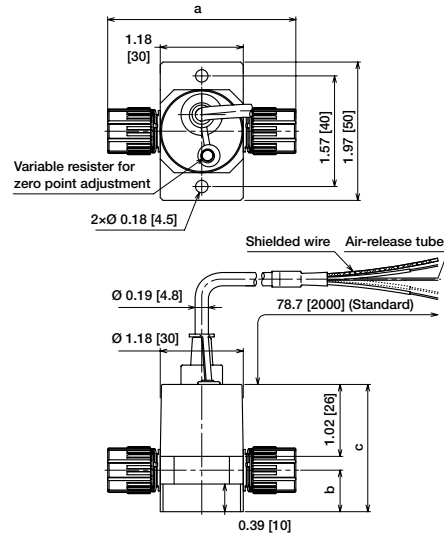
For Reference only, consult Ashcroft for specific dimension drawings

### S300 Nut (Press Fit) From Pillar Packing Co., Ltd



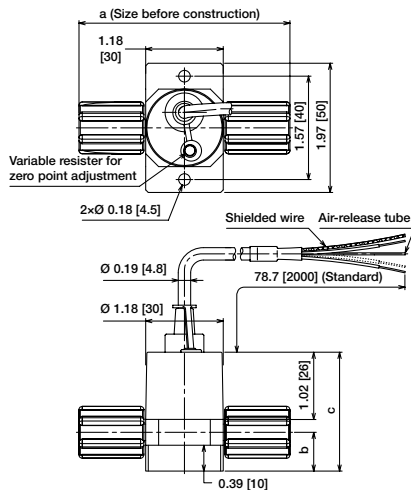
MODEL NUMBER	CONNECTING PORT	a	b	C
ZL91-152	O.D. ¼", I.D. ⅝"	3.15	0.59	1.81
ZL91-162	O.D. ⅜", I.D. ¼"	3.54	0.69	2.01
ZL91-172	O.D. ½", I.D. ⅜"	3.54	0.69	2.01
ZL91-182	O.D. ¾", I.D. ⅝"	3.94	0.89	2.40
ZL91-192	O.D. 1", I.D. ⅞"	4.33	0.98	2.60

### S300 Male Screw From Pillar Packing Co., Ltd



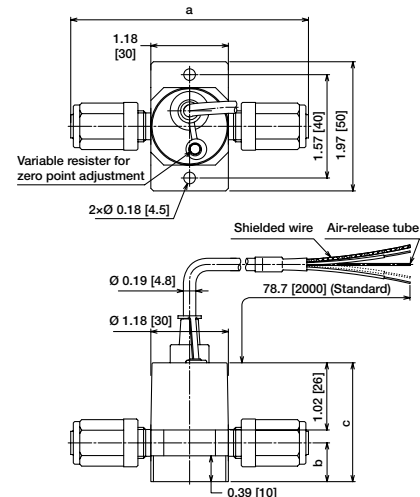
MODEL NUMBER	CONNECTING PORT	a	b	C
ZL91-15A	O.D. ¼", I.D. ⅝"	2.68	0.79	2.20
ZL91-16A	O.D. ⅜", I.D. ¼"	3.15	0.89	2.40
ZL91-17A	O.D. ½", I.D. ⅜"	3.46	0.98	2.60

### Flare Nut (Insert) From Entgris, Inc



MODEL NUMBER	CONNECTING PORT	a	b	C
ZL91-156	O.D. ¼", I.D. ⅝"	3.15	0.59	1.81
ZL91-166	O.D. ⅜", I.D. ¼"	3.54	0.69	2.01
ZL91-176	O.D. ½", I.D. ⅜"	3.54	0.69	2.01
ZL91-186	O.D. ¾", I.D. ⅝"	3.94	0.89	2.40
ZL91-196	O.D. 1", I.D. ⅞"	4.33	0.98	2.60

### 60 Series Male Screw From Flowell Corporation



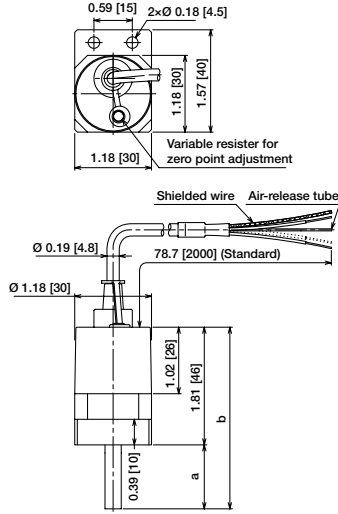
MODEL NUMBER	CONNECTING PORT	a	b	C
ZL91-14B	O.D. ¼", I.D. 0.17"	3.62	0.69	2.01
ZL91-15B	O.D. ¼", I.D. ⅝"	3.62	0.69	2.01
ZL91-16B	O.D. ⅜", I.D. ¼"	4.25	0.79	2.20
ZL91-17B	O.D. ½", I.D. ⅝"	4.25	0.89	2.40

# ZT91 超高纯压力变送器

Single Port Pressure Connection Dimensions in drawings are inches [mm]  
Dimensions in tables are inches

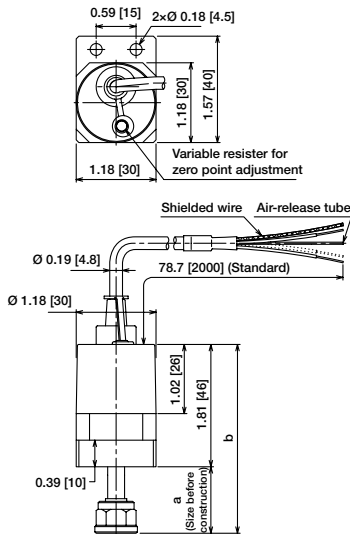
For Reference only, consult Ashcroft for specific dimension drawings

## Tube Connection



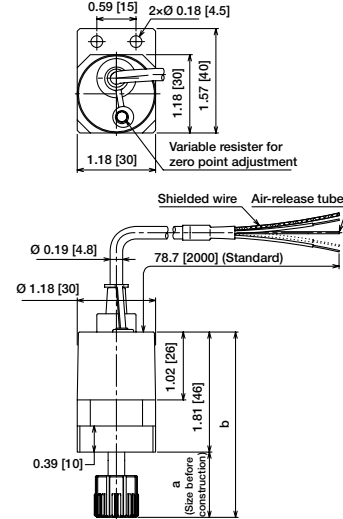
MODEL NUMBER	CONNECTING PORT	a	b
ZL91-241	O.D. 1/4", I.D. 0.17"	0.98	2.80
ZL91-251	O.D. 1/4", I.D. 5/32"	0.98	2.80
ZL91-261	O.D. 3/8", I.D. 1/4"	1.18	2.99
ZL91-271	O.D. 1/2", I.D. 3/8"	1.18	2.99

## 20 Series Nut (Press Fit) Flowell Corporation



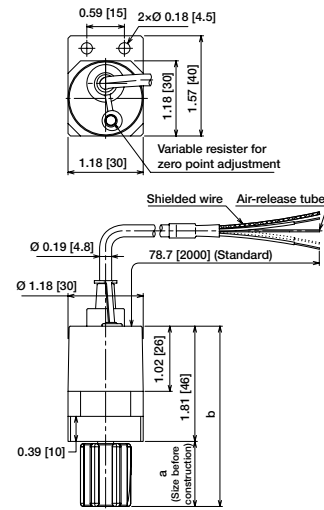
MODEL NUMBER	CONNECTING PORT	a	b
ZL91-244	O.D. 1/4", I.D. 0.17"	0.98	2.80
ZL91-264	O.D. 3/8", I.D. 1/4"	1.18	2.99
ZL91-274	O.D. 1/2", I.D. 3/8"	1.18	2.99

## S300 Nut (Press Fit) From Nippon Pillar Packing Co., Ltd.



MODEL NUMBER	CONNECTING PORT	a	b
ZL91-252	O.D. 1/4", I.D. 5/32"	0.98	2.80
ZL91-262	O.D. 3/8", I.D. 1/4"	1.18	2.99
ZL91-272	O.D. 1/2", I.D. 3/8"	1.18	2.99

## Flare Nut (Insert) From Entegris, Inc.



MODEL NUMBER	CONNECTING PORT	a	b
ZL91-256	O.D. 1/4", I.D. 5/32"	0.98	2.80
ZL91-266	O.D. 3/8", I.D. 1/4"	1.18	2.99
ZL91-276	O.D. 1/2", I.D. 3/8"	1.18	2.99